

## OVERVIEW

The push button coupler is a module with 4 contact inputs for regular push buttons and switches. It communicates and it is powered from the DALI channel.

Its small size allows it to be installed behind standard wall switches and push buttons.

Via the DALION lighting controller, the connected push buttons and switches can control luminaries on the DALI channel. The DALION allows for the following commands and more:

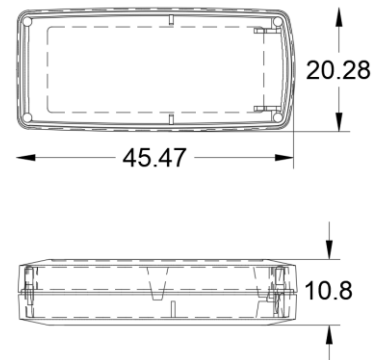
- ✓ Off, On
- ✓ Dim Up and Down
- ✓ Direct Value
- ✓ Recall Scenes 1-16
- ✓ Last On Level
- ✓ Occupancy
- ✓ Daylight Harvesting
- ✓ Demand Response



## SPECIFICATIONS

<b>Power supply</b>	Powered from the DALI channel, current: 6 mA.
<b>Input</b>	4 digital inputs (dry contact)
<b>Dimension</b>	45 x 20 x 10 mm, 1.80" x 0.80" x 0.42" (L x W x H)
<b>Fixation</b>	Wires and can be installed behind standard wall switches and push buttons.
<b>Wiring</b>	0.2 – 0.5 mm <sup>2</sup> , Stripping length: 6 mm
<b>Enclosure material</b>	UL 94 V-0
<b>Operating temperature</b>	0 °C to 45 °C (32 °F to 113 °F)
<b>Standards</b>	Input devices – Push buttons – 301 – IEC 62386-301

## DIMENSIONS (mm)



## ORDERING INFORMATION

Model Number	Model Description
DALION-PBCD-4	DALI push button coupler with 4 contact inputs

