



HMI5-TP7

BACnet Touch Panel



BACMOVE

Firme Web Inc.

HMI5-TP7

Table of Contents

- Introduction..... 2
- Specifications..... 2
- Initial Setup..... 2
- In-Wall Mounting Installation 3
 - 1. Make the cut-out for the Touch Panel 3
 - 2. Install the mounting bracket into the cut-out..... 3
- System Settings 3
- Network Settings 4
- USB File Transfer 5
- Web Interface HMI5 5

Introduction

The HMI5-TP7 is a 7-inch capacitive BACnet touch screen panel. Its customizable user-interface helps visualize and control many buildings systems. Thanks to its in-wall flush mount design it integrates into conference rooms, reception areas, corridors, and apartments.

Specifications

Model	HMI5-TP7
Power supply	9VDC-36VDC, POE IEEE802.3af
Dimension	182 x 121 x 25 mm (L x W x H) (7.17" x 4.77" x 0.98")
Fixation	In-wall mount
CPU	8-Core ARM Cortex CPU
Wi-Fi	802.11b/g/n
Ethernet interface	1, RJ45 port
Operating System	Android 6.0

Initial Setup

Connect the power and network using one of the following options:

- Mains Power and Ethernet:**
 - Connect the Ethernet cable (cable not included) to your network.
 - Plug the power cable into the touch panel.
- POE (Power Over Ethernet):**
 - Connect the Ethernet cable (cable not included) to a powered port on your network, do not plug the supplied power cable.
- Mains Power and Wi-Fi:**
 - Plug the power cable into the touch panel, do not plug the Ethernet cable.

In-Wall Mounting Installation

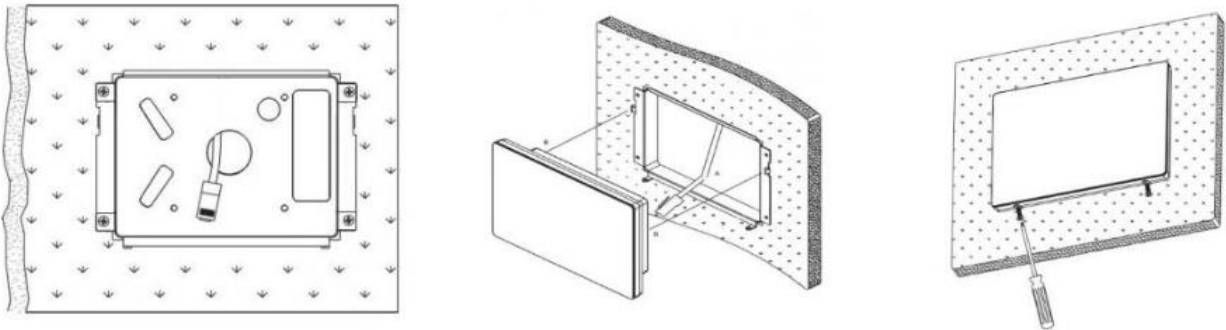
The visible part of the touch panel in front of the wall measures 182mm (7.1 ") W x 121mm (4.8 ") H x 15mm (0.6") D. This bracket can also be used for surface mounting using the 75mm (2.95") x 75mm (2.95") VESA holes.

1. Make the cut-out for the Touch Panel

- Make a cut-out in the wall 160mm (6.3") W x 104mm (4") H x 21mm (0.82") D, or use the in-wall bracket as a template.

2. Install the mounting bracket into the cut-out

- Insert the mounting bracket into the wall cut-out with the flanges at the bottom.
- Use 4 screws (not supplied) to fix the bracket to the wall.
- Use the 2 supplied screws to fix the touch panel to the bracket.



System Settings

To access the system settings, use the following JavaScript method from your HMI5 user interface.

```
JSInterface.setOptionString("START_ACTIVITY_SETTINGS", "1");
```

This will launch the settings where network and other parameters can be configured. The main setting screen will stay open for 1 minute. If you navigate to another settings screen, you must press the back arrow to return to HMI5.

Network Settings

Configure the network using one of the following options:

1. **Ethernet with DHCP:** This is the default, so nothing further to do. Note that Ethernet will not work if Wi-Fi is enabled.
To see the allocated IP address, press "Ethernet" under "Wireless & networks", and the IP Address is shown.
2. **Ethernet with Static IP Address:**
 - Press " Ethernet" under " Wireless & networks " .
 - Toggle "Ethernet" to "On".
 - Click "Static IP".
 - Enter the desired network setting.
 - Click "OK".
3. **Wi-Fi with DHCP:**
 - Press " Wi-Fi" under "Wireless & networks".
 - Toggle "Wi-Fi" to "On".
 - Click the chosen network and enter the Wi-Fi password.
 - Click "Connect".

To see the allocated IP address, click the three dots at the top right and on “Advanced”.

4. **Wi-Fi with Static IP Address:**
 - Press " Wi-Fi" under "Wireless & networks".
 - Toggle "Wi-Fi" to "On".
 - Click the chosen network and enter the Wi-Fi password.
 - Tick “Advanced options”.
 - Scroll down and change “IP settings” to “Static”.
 - Enter the desired network settings.
 - Click "Connect".

USB File Transfer

Connect the touch panel to your computer with a USB 2.0 cable A male to A male.



The touch panel should appear as a USB drive, on the computer.

If the touch panel does not appear or it displays an empty drive follow the following procedure. Press the option even if it already shows as being configured.

- Configure “MTP (Media Transfer Protocol)” in the menu “Settings > Developer options > Select USB Configuration.”
- Configure “Host Mode” in the menu “Settings > Developer options > USB Mode Change”.

Web Interface HMI5

Thanks to the HMI5 app, any web developer can create within a few minutes an interface to visualize and control buildings system. HMI5 presents a simple JavaScript interface to access the BACnet network.

Visit the following link for the HMI5 documentation.

<https://bacmove.com/bacnet-hmi-hmi5-guide>